

Upgrade kit

Added Value
DELLNER HYDRATECH
Solution

Preventive Maintenance

Drain Kit Solution

B4798 for Siemens 3.0 MW

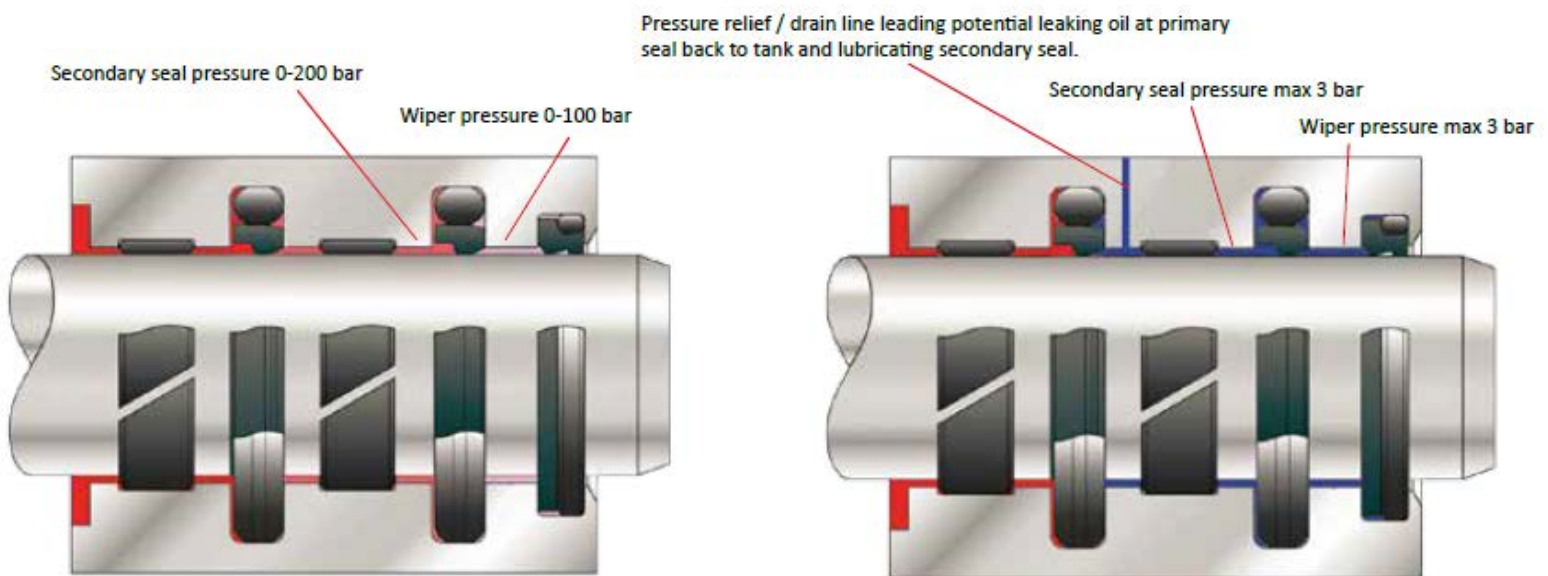
Purpose

The overall operating conditions for a pitch cylinder are extremely demanding and requires top class design and components to ensure trouble free operation.

Seal system with low overall wear rate on rod and seals will significantly reduce the risk of leakage into hub by leading potential leakage at primary seal back to tank.

Pressure is thereby reduced from 0-200 bar to 0-3 bar on the secondary seal. Also, the contaminated oil is led back to tank, which again causes less wear on seals and rod.

Solution



Original rod seal system,

Without pressure relief/drain line

Similar solutions are mounted in numerous turbines for Siemens 3.0 MW MK I and 2.3 MW MK III & MK IV turbines worldwide.

Related documentation can be retrieved by contacting servicehwp@hydratec-industries.com

“Introduction of drain line” and “B5220 assemble notes”.

Please contact our service departments for further information. We are looking forward to supporting you.

New rod seal system,

With pressure relief/drain line

Your Regular

- Pitch Cylinders
- Filters
- Burst Discs
- Valves

- Accumulators
- Pumps
- Motors
- **Upgrade Kits**
- Tool Kits

- *More than 30 years' experience*
- *Competitive prices*
- *Technical support*
- *Spare parts & repair*
- *Online access to documentation*

Maintenance

Supplier of

DELLNER HYDRATECH Group
Suensonsvei 14
8600 Silkeborg
Denmark
Phone: +45 872281

**DELLNER HYDRATECH
Czech Republic**
Pobrezni 394/12,
186 00 Praha 8,
Czech Republic
Phone: +420 776 493 672

**DELLNER HYDRATECH
India**
#307 & #308, 5th Main, 8th Cross,
4th Phase,
Peenya Industrial Area (1st Stage)
Bengaluru 560058
India
Phone: +91 80 47912400

DELLNER HYDRATECH China
No 53, Jiepu Rd
Shenqpu Development Zone
SIP 215126, Suzhou
China
Phone: +86 51262813668

DELLNER HYDRATECH USA
P.O.Box 2618
22955 McAuliffe Dr
Robertsdale, AL 36567
USA
Phone: +1 251-947-5300